

PARIS METRO

INTERCONNECT WITH ONE OF EUROPE'S LARGEST CONSUMER MARKETS IN FRANCE'S LEADING DIGITAL CAMPUS

Our Paris data centers are business hubs for 560+ companies. Equinix customers in Paris can choose from a broad range of network services from 95+ providers. After Tokyo, Paris hosts more multinational headquarters than any other city in the world. Leading organizations choose Paris for its geographic position in the heart of Europe and because the city offers access to one of Europe's largest markets.

Paris is a hub for French internet traffic and for the exchange of traffic between the U.S. and Europe. France is also a termination point for many undersea cable systems in the Mediterranean, meaning that low-latency connections are available between Southern Europe, Africa and the Middle East. Equinix Paris colocation facilities enable customers to be part of a rich industry ecosystem. Our seven fiber-connected International Business Exchange™ (IBX®) data centers, strategically positioned in five varied locations across Paris, offer high levels of carrier connectivity. This network density makes Equinix Paris IBX data centers ideal locations to procure bandwidth and optimize network performance.

Paris metro facilities

The Equinix Paris metro IBX data centers consist of seven buildings with 38,800+ square meters (417,000+ square feet) of colocation space. Key certifications include ISO 9001: 2008 for quality management systems, ISO 27001 for information security management systems and PCI DSS.



The value of interconnection

- Ability to connect to 560+ customers, partners, content providers, networks and internet service providers
- Paris is a hub for French internet traffic and for the exchange of traffic between the U.S. and Europe
- Equinix Paris customers benefit from ultra-low-latency routes to Africa, the Middle East and Asia Pacific due to excellent connectivity to many subsea cables
- On-demand and direct access to multiple cloud providers via the Equinix Cloud Exchange™
- Leverage Performance Hub™, enabling next-generation Wide Area Network (WAN) architecture for secure and highly reliable connectivity to 95+ network service providers and 215+ cloud and IT service providers
- Campus connections between PA2, PA3, PA4, PA5 and PA6 offers the lowest latency connectivity between buildings
- Interconnect with 60+ leading content digital media (CDM) companies to reduce latency and help improve user experience
- Connect directly to 50+ leading northern European financial services organizations via the lowest latency connections possible
- Easily meet compliance requirements, today and tomorrow. Certifications for our Paris IBX data centers include ISO 27001 (information security management), ISO 9001 (quality management) and PCI DSS (card payments specific accreditation)

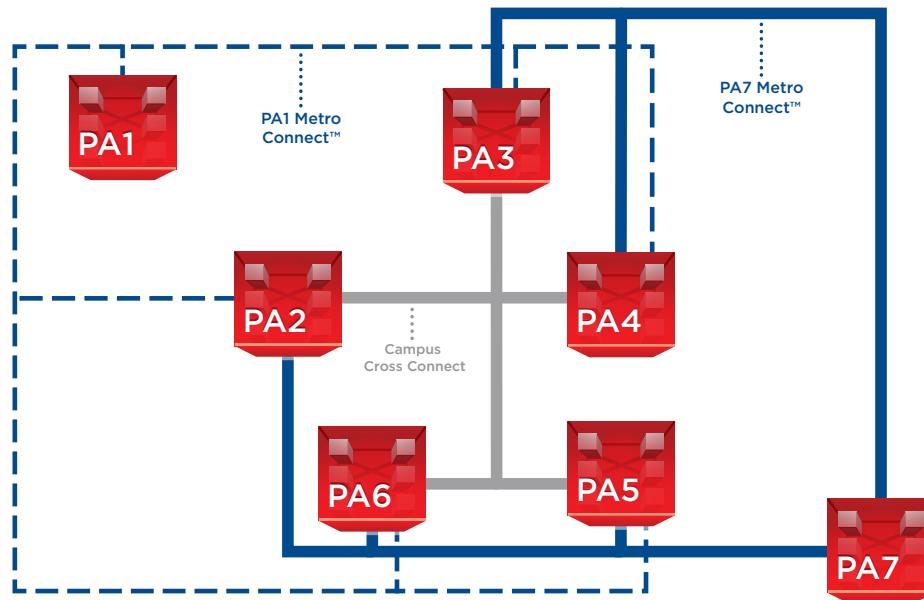


Equinix PA4 IBX exterior



Equinix PA2 IBX colocation

Connectivity options through Equinix



Where both Campus Cross Connect and Metro Connect™ are available between a pair of sites, only Campus Cross Connect should be provided.

Reasons to believe in us

Global data centers

- 200 data centers, 52 major markets, \$21B+ capital invested in capacity/new markets, global availability 99.9999%+

Connected

- 1,700+ networks, 270,000+ cross connects, less than 10ms latency to 90% of the population of North America, Western Europe, top markets in Asia-Pacific and Brazil

Partners, customers and prospects

- Blue-chip customer base of 9,800+ global businesses across 24 countries, on 5 continents representing network, digital media, financial services, cloud/IT and enterprise leaders

Equinix customer count per vertical



95+
Network



130+
Enterprise



50+
Financial Services



60+
Content and Digital Media



215+
Cloud and IT Services

Contact Us

Phone: +33 8488 8123

Web: Equinix.fr/contact-us/sales